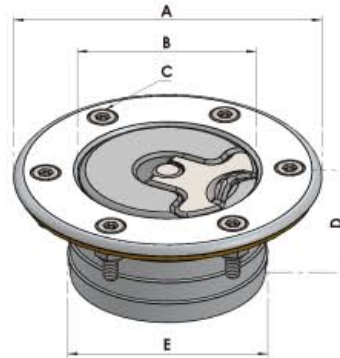




# Aero 200

**A200 Fuel Filler Cap, Non-Locking, Non-vented, Silver,  
Ø52.0 Integral Neck.**

**Part Number: OA-ZA-005 (A26NS)**



## Options:

### Part Description

A200 Fuel Filler Cap, Non-Locking, Non-Vented, Black, Ø52.0 Integral Neck

### Part Number

OA-ZA-007 (A26NSBB)

## Specifications:

**Fixing Arrangement:**

**Applications:**

**Compatibilities:**

**Finish:**

**Weight:**

**Supplied With:**

6 x M04 CSK Bolts

Fuel, Oil & Water Tanks

Compatible with Jet Fuel 100LL

Operation Temperature -40°C to +80°C

Anodised Clear (Silver)

135.0 grams

Cap

Flange Neck

M04 Screw Pack (CSK Screws, Washers & Nyloc Nuts)

NBR Cork Gasket

## Materials:

**Centre Cap:**

**Flange Neck:**

**O-Ring:**

**Saddle:**

**Lever & Centre Pin:**

**Washer & Nyloc Nut:**

**Gasket:**

Aluminium Alloy 6063 Forging

Aluminium Alloy 6082/T6 Machined

Viton A (FPM or FKM)

Acetal POM Kepital F20-03

Stainless Steel 303/304

Stainless Steel A2 Type

Neoprene Bonded Cork (NBR)

## Dimensions:

**Outside Diameter A:**

**Centre Diameter B:**

**Bolts Circle Diameter C:**

**Depth D:**

**Spigot:**

**Neck Diameter E:**

**Flange Thickness:**

80.0mm

47.0mm

63.5mm

31.0mm

50.5 (Ø51.50 Cut-Out)

52.0mm

2.5mm

## Optional('s):

Lanyard

Metal Saddle

Hard Anodising

Viton (FPM) Gasket