

The world's first universal-fit, automotive Electric Water Pump. Suitable for all makes and models but will excel on large six-cylinder V8 engines, heavy-duty 4WDs and most engines over 400HP.



Technical specifications

Operating voltage	3V DC to 15V DC
Maximum current	10A
Flow rate (max)	115 L/min (1822 US gal/hr) @ 13V DC
Operating temperature	-40° to 130°C (-40° to 266°F)
Pump design	Clockwise centrifugal with volute chamber
Motor life	3,000 hours continuous at 80°C (176°F) and 12V DC; 7,000 hours with an EWP®/Fan Digital Controller
Pump weight	1,151 grams (2.56 lb)
Pump material	Aluminium
Burst pressure	500 kPa (72.5 psi)
Seal	Ceramic face seal
Fits hose sizes	38mm to 51mm (1½" to 2") Internal thread - inlet: 1" NPT - outlet: 1" NPT

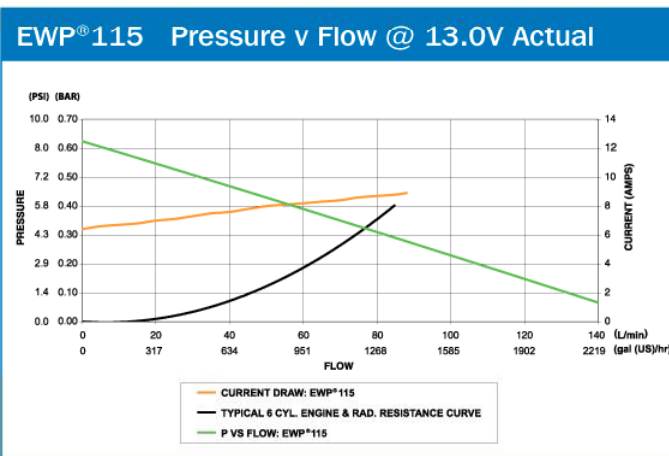


Kit contents

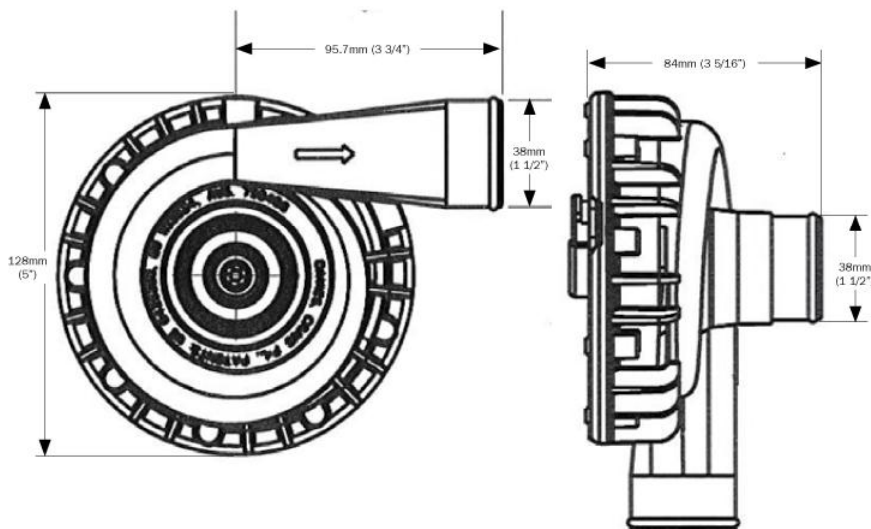
Part #	Description	Qty
8140	EWP®115 Alloy Pump	1
8515	Wiring harness	1
8510	Sleeve 3mm rubber adaptors	2
8512	Hose clamps	2
8525	Assorted hardware bag - includes relay #0533	1

Options

Part #	Description	Qty
8505	90° Hose adaptor	1
1025	Alloy adaptor 1" (2 required)	1



Dimensions



The EWP® is a recirculating pump which is ideal for a 'closed system' similar to an automotive cooling system; it is not 'self-priming'.